

3KVA 19" Rackmount Pure Sine Inverter Plus UPS Mode Compact 2U High Design




Schaefer's AEP-U3000R Series of compact, 2U rackmount inverters provide 3KVA of pure sine wave, power factor corrected, AC power from a variety of DC sources, including 90-140VDC or 180-275VDC.

Unlike modified or quasi-sine wave inverters, a pure sine wave offers "clean" power ideal for powering sensitive or highly inductive/highly capacitive loads and for improving AC equipment performance. Low EMI levels allow for usage with minimum interference to other equipment such as TV's or sensitive navigational instruments.

The AEP-U3000R Series features an integrated utility bypass and are built to provide the dependable AC power that your systems demand.

NEW Product Features:

- RoHS Compliant 
- **NEW!** 90-140VDC or 180-275VDC input
- 12VDC, 24VDC, or 48VDC input
- Compact 2U, 19" rackmount design
- Pure sine wave output
- UPS mode (input default selectable DC or AC)
- Auto bypass switch when default is lost
- Wide -30°C to +60°C operating temperature
- High reliability and high efficiency
- Digital display shows:
 - Output Voltage
 - Output Current
 - Output Power
 - Input Voltage
 - Frequency
 - Temperature
 - Alarms
- RS232C interface with selectable baud rate
- Remote control port with optional remote
- Energy/power saving "low power mode"
- Temperature controlled cooling fan
- Advanced microprocessor design
- Protection features:
 - Overload
 - Input Low Voltage
 - Short Circuit
 - Low battery alarm
 - Input OVP
 - Over Temperature
- Simple installation and maintenance
- 100% burn-in tested / 2 year warranty

Applications:

Compact and lightweight, the AEP-U3000R Series is suited for worldwide industrial, office/residential and recreational use. The rugged rackmount design, featuring a -30°C to +60°C temperature range, is ideal for even the most extreme mobile, military or marine environments.

Industrial equipment:

Power supplies, test equipment, building management/security systems, communications equipment, factory automation equipment, field portable instrumentation, remote facility power and lamps.

Computer equipment:

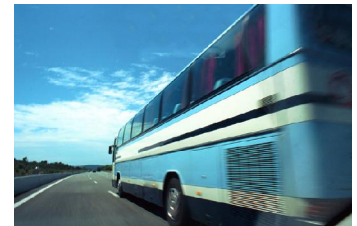
Computers, networking equipment, telecom equipment, printers, monitors, fax machines, scanners.

Machinery:

Tools and air compressors.

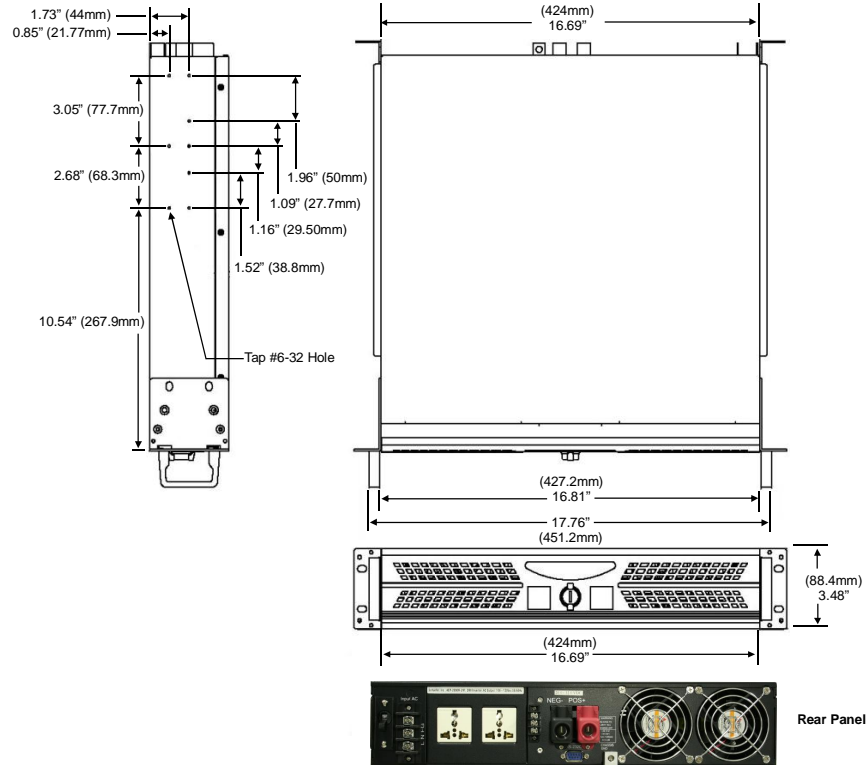
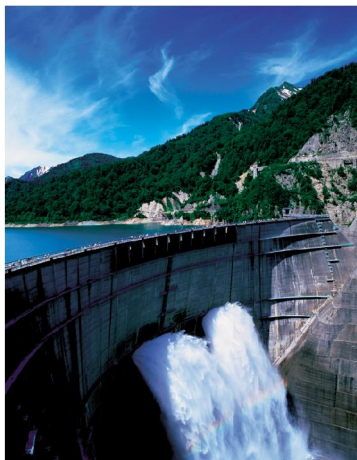
Misc:

Household electronics and appliances.



3KVA Rackmount Pure Sine Wave Inverter

Inverter Model	AEP-U3000R-1101	AEP-U3000R-2201	AEP-U3000R-XX1	AEP-U3000R-1102	AEP-U3000R-2202	AEP-U3000R-XX2
Continuous Output	2250W (3KVA)	2250W (3KVA)	2250W - 2550W	2250W (3KVA)	2250W (3KVA)	2250W - 2550W
Output Surge (20 Sec.)	3060W	3060W	Ref AEP-3000R specs	3060W	3060W	Ref AEP-3000R specs
Output Surge (1 Min.)	2805W	2805W		2805W	2805W	
AC Output Voltage	100 / 110 / 115 / 120V			200 / 220 / 230 / 240V		
Output Voltage Regulation	-2% / +2%					
Output Frequency	50Hz / 60Hz ± 0.05%					
Peak Output Current	30A	15A	30A	30A	15A	15A
Output Waveform	Pure Sine <3 % THD					
Efficiency	90%	91%	84% - 90%	92%	93%	84% - 90%
No Load Current Draw	<=1.5W in Saving Mode					
Input Voltage	110VDC	220VDC	12, 24, or 48VDC	110VDC	220VDC	12, 24, or 48VDC
Input Voltage Range	90 ~ 140VDC	180 ~ 275VDC	Ref AEP-3000R specs	90 ~ 140VDC	180 ~ 275VDC	Ref AEP-3000R specs
Protection	Under/Over Input Voltage, Over Temperature, Reverse Polarity (Fuse), Overload, Short Circuit					
Power Saving Recovery Time	3 Minutes					
LED Indicators/Digital Display	OVP / UVP / OTP / OLP / VAC / AMP / WATTS / VDC / TEMP / Hz					
Remote Control Unit	Option					
Interface Control Port	RS232C with Switch Selectable Baud Rate (2400/4800/9600/19200)					
Auto Bypass Switch	90-130VAC / 50-60Hz			180-260VAC / 50-60Hz		
Bypass Time	4-6 ms					
Operational Temp	-30°C to +60°C (-22°F to +140°F)					
Storage Temp	-30°C to +70°C (-22°F to +158°F)					
Cooling	Temperature controlled cooling fan					
Dimensions (LxWxH)	435mm (L) x 19" (W) x 88.4mm (H) (17.12" x 19" x 3.48"), 2U					
Weight	9.8 kg. (21.60 lbs.)					



Rear Panel View

Contact Schaefer for other available products including low power inverters with built-in switch and optional battery charger.

Schaefer, Inc. - 200 Butterfield Drive - Tel: 508-881-7330 - Fax: 508-231-0861 - sales@schaeferpower.com