

Features

- DC input: 18 - 380 V
- AC input: 115 / 230 V, 47 - 400 Hz
- DC output: 8 / ... / 250 V
- Continuous short circuit protection
- Overvoltage protection with auto restart
- Industrial grade components
- Compact and robust design



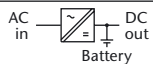
DC / DC Converters

| ▶ 450 W | | | | ▶ 600 W | | | | | |
|-----------|-------------|-----------|-----------|------------|-------------|---------------------------|-------------|------|----------|
| Input VDC | | | | | | | Output VDC | | |
| 18-36 VDC | Output Amps | 36-75 VDC | 45-90 VDC | 80-160 VDC | 160-320 VDC | 320-380 ¹⁾ VDC | Output Amps | Adj. | Range |
| C 2721 | 38 | C 2731 | C 2741 | C 2751 | C 2771 | C 2781 Z | 48 | 9 | 8- 10 |
| C 2722 | 34 | C 2732 | C 2742 | C 2752 | C 2772 | C 2782 Z | 40 | 12 | 11- 13 |
| C 2723 | 28 | C 2733 | C 2743 | C 2753 | C 2773 | C 2783 Z | 34 | 15 | 14- 16 |
| C 2724 | 18 | C 2734 | C 2744 | C 2754 | C 2774 | C 2784 Z | 23 | 24 | 23- 26 |
| C 2725 | 16 | C 2735 | C 2745 | C 2755 | C 2775 | C 2785 Z | 20 | 28 | 26- 30 |
| C 2729 | 9 | C 2739 | C 2749 | C 2759 | C 2779 | C 2789 Z | 12 | 48 | 45- 55 |
| C 2726 | 7 | C 2736 | C 2746 | C 2756 | C 2776 | C 2786 Z | 10 | 60 | 58- 68 |
| C 2727 | 4 | C 2737 | C 2747 | C 2757 | C 2777 | C 2787 Z | 5 | 110 | 100- 130 |
| C 2728 | 2 | C 2738 | C 2748 | C 2758 | C 2778 | C 2788 Z | 2.6 | 220 | 200- 250 |



AC / DC Converters

| ▶ 600 W | | | | | |
|--------------------|-------------------------------------|--|-------------|------------|----------|
| Input VAC, 1-Phase | | | | Output VDC | |
| 115 ±20% | 230 ^{+15%} _{-20%} | 115 ±20% / 230 ^{+15%} _{-20%} | Output Amps | Adj. | Range |
| C 2761 | C 2781 | C 2791 | 48 | 9 | 8- 10 |
| C 2762 | C 2782 | C 2792 | 40 | 12 | 11- 13 |
| C 2763 | C 2783 | C 2793 | 34 | 15 | 14- 16 |
| C 2764 | C 2784 | C 2794 | 23 | 24 | 23- 26 |
| C 2765 | C 2785 | C 2795 | 20 | 28 | 26- 30 |
| C 2769 | C 2789 | C 2799 | 12 | 48 | 45- 55 |
| C 2766 | C 2786 | C 2796 | 10 | 60 | 58- 68 |
| C 2767 | C 2787 | C 2797 | 5 | 110 | 100- 130 |
| C 2768 | C 2788 | C 2798 | 2.6 | 220 | 200- 250 |



Battery Chargers

| ▶ 600 W | | | | | |
|--------------------|-------------------------------------|--|-------------|----------------------|----------|
| Input VAC, 1-Phase | | | | Output VDC | |
| 115 ±20% | 230 ^{+15%} _{-20%} | 115 ±20% / 230 ^{+15%} _{-20%} | Output Amps | Nom. Battery Voltage | Range |
| B 2761 | B 2781 | B 2791 | 34 | 12 | 12- 16 |
| B 2762 | B 2782 | B 2792 | 20 | 24 | 24- 32 |
| B 2764 | B 2784 | B 2794 | 10 | 48 | 48- 64 |
| B 2766 | B 2786 | B 2796 | 8 | 60 | 60- 80 |
| B 2767 | B 2787 | B 2797 | 4.4 | 110 | 110- 145 |
| B 2768 | B 2788 | B 2798 | 2.2 | 220 | 220- 290 |

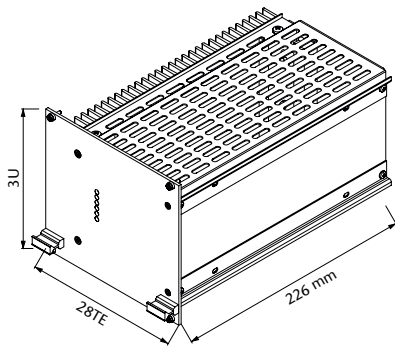
Assistance in table use:

- 1 Select the column for input voltage range.
- 2 Select the row for the appropriate output voltage.
- 3 The intersection of both results in the module required.

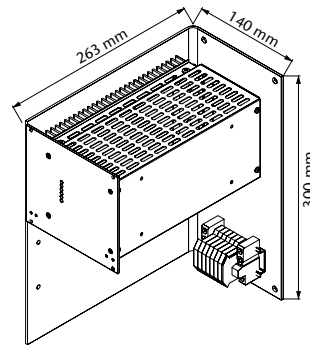
For example:

- 1 input voltage = 24 VDC
- 2 output voltage = 220 VDC @ 2 A
- 3 results in a C 2728 module.

¹⁾ input supply from PFC also suitable



Eurocassette / approx. 3.0 kg
(pluggable module for 19" sub-rack)



Wall mount / approx. 5.5 kg

Specifications

Input

- Voltage range see table, unit switches off at under- and overvoltage
- No-load input power. 5 - 6 W
- Switch-on time 500 ms typical
- Inrush current AC input: limited by thermistor
- Hold-up time AC input: 10 ms typical
- Immunity
- ESD. acc. to DIN / EN 61000-4-2 level 3
 - Fast transients acc. to DIN / EN 61000-4-4 level 3
 - Surges acc. to DIN / EN 61000-4-5 level 3

Output

- Line regulation ($\pm 10\%$) 0.1 %
- Load regulation (10 - 90 %) . . . 0.2 %
- Load transient (10-90-10 %) . . 6 % typical
- Response time to $\pm 1\%$ 2 - 3 ms
- Turn-on rise time Soft-start, 100 ms typical
- Ripple. $\leq 1\% + 30\text{ mV}_{\text{p-p}}$
- Overload protection current limited to 105 - 110 % of I_{nom}
- Overvoltage protection. OVP switches off module with automatic return to operation
- Remote sense. standard for C series, up to 10 % of U_{nom} for output < 60 VDC, up to 6 V for output > 60 VDC

General

- Efficiency 70 - 92 %
- Operating temperature. -20 to $+75\text{ }^\circ\text{C}$
- Load derating 2.5 % / $^\circ\text{C}$ from $+55\text{ }^\circ\text{C}$
- Storage temperature -40 to $+85\text{ }^\circ\text{C}$
- Humidity up to 95 % RH, non-condensing
- Cooling natural convection
- Temperature coefficient 0.02 % / $^\circ\text{C}$ typical
- Safety / Construction. acc. to DIN / EN 60950-1: 2003
- Protection category. IP 20, others or NEMA upon request
- EMI. acc. to EN 55022, class A, optionally class B
- MTBF approx. 120,000 h @ $40\text{ }^\circ\text{C}$
acc. to MIL - HDBK - 217 E (notice 1)
- Connector for eurocassette - std. design H 15
- Marking CE

Options

Input

- Inrush current limiting for DC input
- Reverse polarity protection for DC input
- Autoranging for 115 / 230 VAC input

Output

- Parallel operation
- Redundant operation
- Inhibit (remote on / off)

Signals

- via open collector or relay contacts
- Power ok (input)
 - DC ok (output)

Programming

- Output voltage or current via
 - external potentiometer
 - analog signal
 - interface card RS232 or IEEE488 (external)

Battery charger

- Temperature compensated charging voltage
- Automatic / manual selection of charging characteristic (external)

Monitoring

- Input / output voltage or current via
 - analog signal
 - interface card RS232 or IEEE488 (external)

Mechanics / environment:

- 19" sub-rack for eurocassette
- Wall mount
- Increased mechanical strength
- Tropical protection
- Extended temperature range to $-40\text{ }^\circ\text{C}$