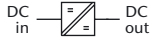


Series C / B 2500

Features

- DC input: 18 - 380 V
- AC input: 115 / 230 V, 47 - 400 Hz
- DC output: 5 / ... / 250 V
- Continuous short circuit protection
- Overvoltage protection with auto restart
- Industrial grade components
- Compact and robust design



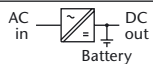
DC / DC Converters

▶ 300 W				▶ 400 W							
Input VDC								Output VDC			
18–36 VDC	Output Amps	36–75 VDC	45–90 VDC	80–160 VDC	160–320 VDC	320–380 ¹⁾ VDC	Output Amps	Adj.	Range		
C 2520	45	C 2530	C 2540	C 2550	C 2570	C 2580 Z	55	5	4.5– 5.5		
C 2521	27	C 2531	C 2541	C 2551	C 2571	C 2581 Z	32	9	8– 10		
C 2522	23	C 2532	C 2542	C 2552	C 2572	C 2582 Z	27	12	11– 13		
C 2523	20	C 2533	C 2543	C 2553	C 2573	C 2583 Z	23	15	14– 16		
C 2524	13	C 2534	C 2544	C 2554	C 2574	C 2584 Z	15	24	23– 26		
C 2525	11	C 2535	C 2545	C 2555	C 2575	C 2585 Z	13	28	26– 30		
C 2529	6	C 2539	C 2549	C 2559	C 2579	C 2589 Z	7.2	48	45– 55		
C 2526	5	C 2536	C 2546	C 2556	C 2576	C 2586 Z	6	60	58– 68		
C 2527	2.5	C 2537	C 2547	C 2557	C 2577	C 2587 Z	3	110	100– 130		
C 2528	1.3	C 2538	C 2548	C 2558	C 2578	C 2588 Z	1.6	220	200– 250		



AC / DC Converters

▶ 400 W					
Input VAC, 1-Phase				Output VDC	
115 ±20%	230 ^{+15%} _{-20%}	115 ±20% / 230 ^{+15%} _{-20%}	Output Amps	Adj.	Range
C 2560	C 2580	C 2590	55	5	4.5– 5.5
C 2561	C 2581	C 2591	32	9	8– 10
C 2562	C 2582	C 2592	27	12	11– 13
C 2563	C 2583	C 2593	23	15	14– 16
C 2564	C 2584	C 2594	15	24	23– 26
C 2565	C 2585	C 2595	13	28	26– 30
C 2569	C 2589	C 2599	7.2	48	45– 55
C 2566	C 2586	C 2596	6	60	58– 68
C 2567	C 2587	C 2597	3	110	100– 130
C 2568	C 2588	C 2598	1.6	220	200– 250



Battery Chargers

▶ 400 W					
Input VAC, 1-Phase				Output VDC	
115 ±20%	230 ^{+15%} _{-20%}	115 ±20% / 230 ^{+15%} _{-20%}	Output Amps	Nom. Battery Voltage	Range
B 2561	B 2581	B 2591	23	12	12– 16
B 2562	B 2582	B 2592	13	24	24– 32
B 2564	B 2584	B 2594	6.2	48	48– 64
B 2566	B 2586	B 2596	5.1	60	60– 80
B 2567	B 2587	B 2597	2.8	110	110– 145
B 2568	B 2588	B 2598	1.4	220	220– 290

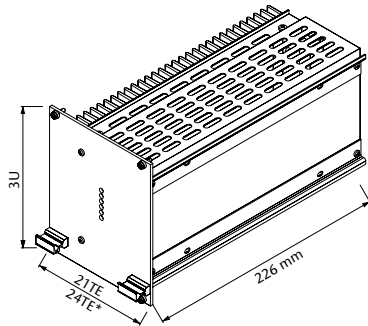
Assistance in table use:

- 1 Select the column for input voltage range.
- 2 Select the row for the appropriate output voltage.
- 3 The intersection of both results in the module required.

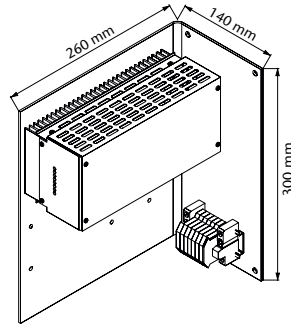
For example:

- 1 input voltage = 110 VDC
- 2 output voltage = 220 VDC @ 1.6 A
- 3 results in a C 2558 module.

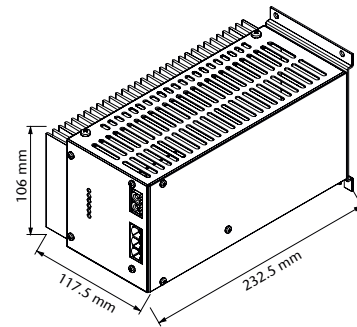
¹⁾ input supply from PFC also suitable



Eurocassette / approx. 2.5 kg
(pluggable module for 19" sub-rack)
*) applicable to 5 V output models



Wall mount / approx. 5.0 kg



NEW
Chassis mount / approx. 3.0 kg

Specifications

Input

- Voltage range see table, unit switches off at under- and overvoltage
- No-load input power. 5 - 6 W
- Switch-on time 500 ms typical
- Inrush current AC input: limited by thermistor
- Hold-up time AC input: 10 ms typical
- Immunity
- ESD. acc. to DIN / EN 61000-4-2 level 3
 - Fast transients acc. to DIN / EN 61000-4-4 level 3
 - Surges acc. to DIN / EN 61000-4-5 level 3

Output

- Line regulation ($\pm 10\%$) 0.1 %
- Load regulation (10 - 90 %) . . . 0.2 %
- Load transient (10-90-10 %) . . 6 % typical
- Response time to $\pm 1\%$ 2 - 3 ms
- Turn-on rise time Soft-start, 100 ms typical
- Ripple. $\leq 1\% + 30\text{ mV}_{p-p}$
- Overload protection current limited to 105 - 110 % of I_{nom}
- Overvoltage protection. OVP switches off module with automatic return to operation
- Remote sense. standard for C series, up to 10 % of U_{nom} for output < 60 VDC, up to 6 V for output > 60 VDC

General

- Efficiency 70 - 92 %
- Operating temperature. -20 to +75 °C
- Load derating 2.5 % / °C from +55 °C
- Storage temperature -40 to +85 °C
- Humidity up to 95 % RH, non-condensing
- Cooling natural convection
- Temperature coefficient 0.02 % / °C typical
- Safety / Construction. acc. to DIN / EN 60950-1: 2003
- Protection category. IP 20, others or NEMA upon request
- EMI. acc. to EN 55022, class A, optionally class B
- MTBF approx. 120,000 h @ 40 °C acc. to MIL - HDBK - 217 E (notice 1)
- Connector for eurocassette - std. design H 15
- Marking CE

Options

Input

- Inrush current limiting for DC input
- Reverse polarity protection for DC input
- Autoranging for 115 / 230 VAC input

Output

- Parallel operation
- Redundant operation
- Inhibit (remote on / off)

Signals

- via open collector or relay contacts
- Power ok (input)
 - DC ok (output)

Programming

- Output voltage or current via
 - external potentiometer
 - analog signal
 - interface card RS232 or IEEE488 (external)

Battery charger

- Temperature compensated charging voltage
- Automatic / manual selection of charging characteristic (external)

Monitoring

- Input / output voltage or current via
 - analog signal
 - interface card RS232 or IEEE488 (external)

Mechanics / environment:

- 19" sub-rack for eurocassette
- Wall mount
- Chassis mount
- Increased mechanical strength
- Tropical protection
- Extended temperature range to -40 °C