

3KVA 19" Rackmount Pure Sine Inverter Compact 2U High Design

Schaefer's AEP-3000R Series of compact, 2U rackmount inverters provide 3KVA of pure sine wave, power factor corrected, AC power from a DC source.

Unlike modified or quasi-sine wave inverters, a pure sine wave offers "clean" power ideal for powering sensitive or highly inductive/highly capacitive loads and for improving AC equipment performance. Low EMI levels allow for usage with minimum interference to other equipment such as TV's or sensitive navigational instruments.

The AEP-3000R Series features an integrated utility bypass and are built to provide the dependable AC power that your systems demand.

Features:

- Compact 2U, 19" rackmount design
- 12, 24 or 48VDC input
- Pure sine wave output
- Wide -30°C to +60°C operating temperature
- High reliability and high efficiency
- Digital display shows:
 - Output Voltage
 - Output Current
 - Output Power
 - Input Voltage
 - Frequency
 - Temperature
 - Alarms
- RS232C interface with selectable baud rate
- Remote control port
- Remote control (optional)
- Temperature controlled cooling fan
- Advanced microprocessor design
- Protection features:
 - Overload
 - Input Low Voltage
 - Short Circuit
 - Low battery alarm
 - Input OVP
 - Over Temperature
- Simple installation and maintenance
- 100% burn-in tested / 2 year warranty

Applications:

Compact and lightweight, the AEP-3000R Series is suited for worldwide industrial, office/residential and recreational use. The rugged rackmount design, featuring a -30°C to +60°C temperature range, is ideal for even the most extreme mobile, military or marine environments.

Industrial equipment:

Power supplies, test equipment, building management/security systems, communications equipment, factory automation equipment, field portable instrumentation, remote facility power and lamps.

Computer equipment:

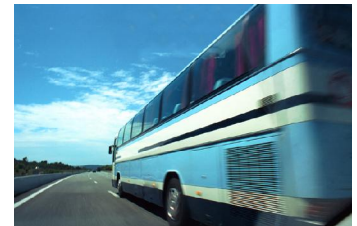
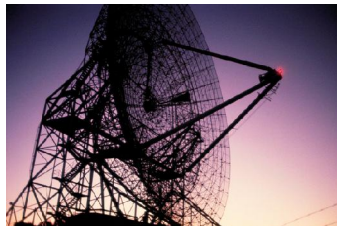
Computers, networking equipment, telecom equipment, printers, monitors, fax machines, scanners.

Machinery:

Tools and air compressors.

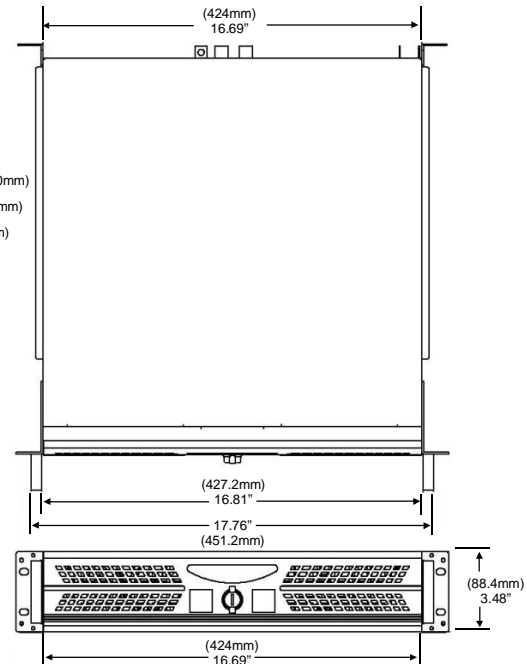
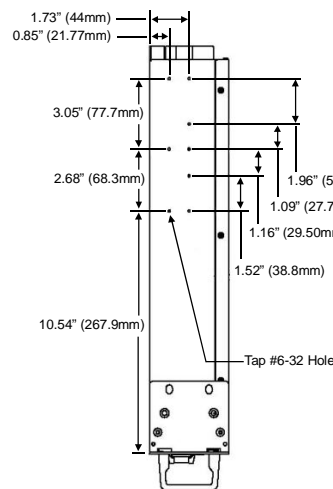
Misc:

Household electronics and appliances.



3KVA Rackmount Pure Sine Wave Inverter

Inverter Model	AEP-3000R-121	AEP-3000R-241	AEP-3000R-481	AEP-3000R-122	AEP-3000R-242	AEP-3000R-482
Continuous Output	2250W (3KVA)	2400W (3KVA)	2550W (3KVA)	2100W (3KVA)	2400W (3KVA)	2550W (3KVA)
Output Surge (20 Sec.)	2700W	2880W	3060W	2700W	2880W	3060W
Output Surge (1 Min.)	2475W	2640W	2805W	2475W	2640W	2805W
AC Output Voltage	100 / 110 / 115 / 120V			200 / 220 / 230 / 240V		
Output Voltage Regulation	-3% / +3%					
Output Frequency	50Hz / 60Hz ± 0.05%					
Peak Output Current	30A			15A		
Output Waveform	Pure Sine Wave <3% THD					
Efficiency	84%	86%	87%	85%	88%	90%
No Load Current Draw	1.54A	0.82A	0.37A	2.3A	1.42A	0.6A
AC Output Receptacle	Universal Socket x 2 (Other sockets optional)					
Input Voltage	12V	24V	48V	12V	24V	48V
Input Voltage Range	10 - 16VDC	20 - 32VDC	42 - 62VDC	10 - 16VDC	20 - 32VDC	42 - 62VDC
Protection	Under/Over Input Voltage, Over Temperature, Reverse Polarity (Fuse), Overload, Short Circuit					
LED Indicators/Digital Display	OVP / UVP / OTP / OLP / VAC / AMP / WATTS / VDC / TEMP / Hz					
Remote Control Unit	Optional					
Interface Control Port	RS232C with Switch Selectable Baud Rate (2400/4800/9600/19200)					
Auto Bypass Switch	90-130VAC / 50-60Hz			180-260VAC / 50-60Hz		
Bypass Time	4-6 ms.					
Operational Temp	-30°C to +60°C (-22°F to +140°F)					
Storage Temp	-30°C to +70°C (-22°F to +158°F)					
Cooling	Temperature controlled cooling fan					
Dimensions (LxWxH)	435mm (L) x 19" (W) x 88.4mm (H) (17.12" x 19" x 3.48"), 2U					
Weight	9.8 kg. (21.60 lbs.)					



Rear Panel View

Contact Schaefer for other available products including low power inverters with built-in switch and optional battery charger.

Schaefer, Inc. - 200 Butterfield Drive - Tel: 508-881-7330 - Fax: 508-231-0861 - sales@schaeferpower.com